

OEA-EL12 Electric Bolt Lock

Overview

OEA-EL12 electric bolt lock is suitable for general glass doors, wooden doors, metal doors, etc. with complete accessories including mounting brackets for frameless glass doors and narrow frame doors. With a lock body made of high-strength brushed anodized aluminum alloy, a coil that can work continuously at ultra-low temperatures, and the latest patented design, the product is strong, safe, and highly durable.



OEA-EL12



OEA-ES12-U



OEA-ES13-U

Features

Ordering Information

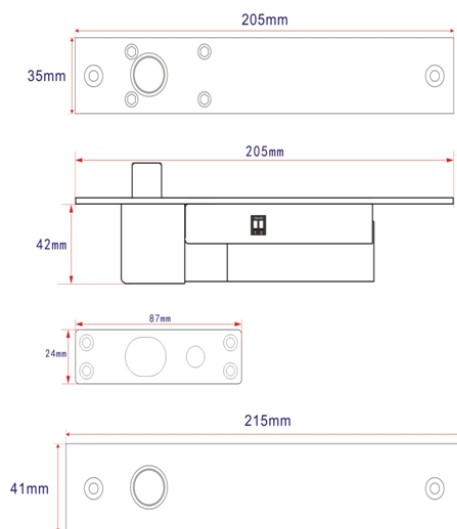
Model	Name
OEA-EL12	Electric Bolt Lock

Specifications

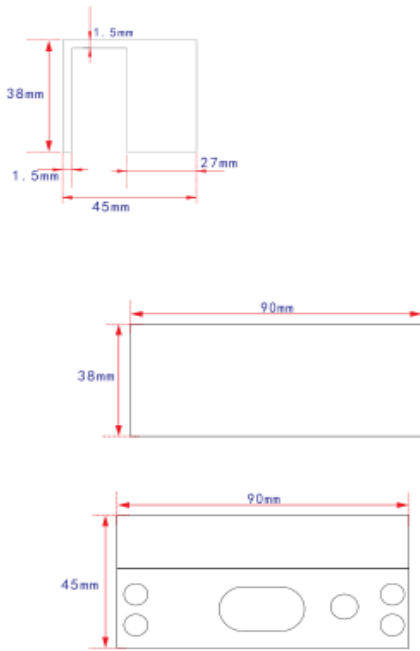
Accessories

Model	Name	Description	Weight
OEA-ES12-U	Electric Bolt Lock U-Bracket	Applicable to glass door frames (The bracket must be used with locks. Choose the appropriate bracket according to the actual situation on site.)	1.3KG
OEA-ES13-U	Electric Bolt Lock U-Bracket	Applicable to wooden door, metal door frames (The bracket must be used with locks. Choose the appropriate bracket according to the actual situation on site.)	0.3KG

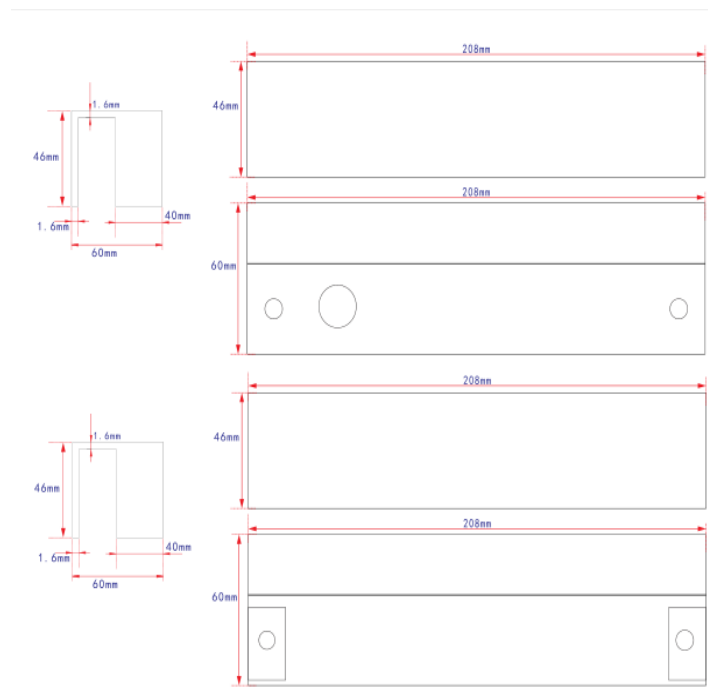
Dimensions



Electric Bolt Lock



OEA-ES12-U Electric Bolt Lock U-Bracket



OEA-ES13-U Electric Bolt Lock U-Bracket

Zhejiang Uniview Technologies Co., Ltd.

Building No.10, Wanlun Science Park, Jiangling Road 88, Binjiang District, Hangzhou, Zhejiang, China

Email: overseasbusiness@uniview.com; globalsupport@uniview.com

<http://www.uniview.com>

©2022 Zhejiang Uniview Technologies Co., Ltd. All rights reserved.

* Product specifications and availability are subject to change without notice.